

CORNER TINY

Aluminium Profile

- Corner Tiny aluminium profile is a small scaled aluminium profile.
- Suitable to be used with 5mm led strips as the inner width is 6mm.
- Its size makes it ideal to be implemented into furniture design.

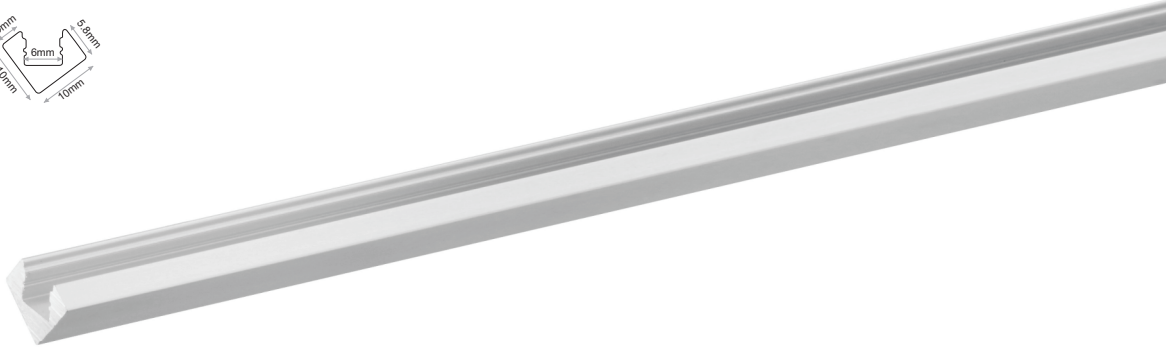
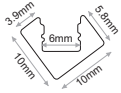

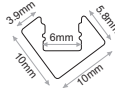









Image	Code	Description	Length	Design-Detail
	PRF.440	CORNER TINY alum.prof. / Anodized	2m	
	COV.610	CORNER TINY POLYCARBONATE OPAL COVER	2m	
	CAP.170 CAP.171	FRONT CAP for CORNER TINY END CAP for CORNER TINY	 	
	ACC.440	STAINLESS STEEL HOLDER for CORNER TINY		